

STEALTH

Vertex Metal Detector



KEY FEATURES:

- Contact Reporter Lite Software Included
- Detailed Data Collection
- Digital Signal Processing Technology
- Ultra Sensitive Detection
- AutoTest: Self Diagnostic Testing
- Automatic Calibration
- System Set-up in Seconds
- Flash Memory Stability
- Multi-Level Password Protection
- Double Bag or Interlock Output
- Beacon/Audible Alarm

OVERVIEW:

Stealth Vertex metal detectors are custom manufactured to suit any inline processing application where space is limited. The ultra-slim Vertex detects metal contaminates in free-falling product prior to final packaging. The Stealth uses digital signal processing technology and has high sensitivity levels to ensure the detection of the smallest ferrous, non-ferrous and stainless steel contaminants. The built-in data collection software with USB data transfer establishes the Stealth as an effective critical control point complying with stringent HACCP regulations.

THE FORTRESS ADVANTAGE:

- Simple Operation
- Custom built detectors or stock sizes
- "Never Obsolete" Commitment: detectors are always upgradable
- Modular design; have fewer components
- Outstanding Reliability
- Exceptional Performance

APPLICATIONS:

- Potato/Tortilla Crisps
- Snack Foods
- Popcorn
- Cereals
- Powders/Grains
- Corn
- Sugar
- Confectionery
- Plastics
- Nuts
- Flour
- Rice

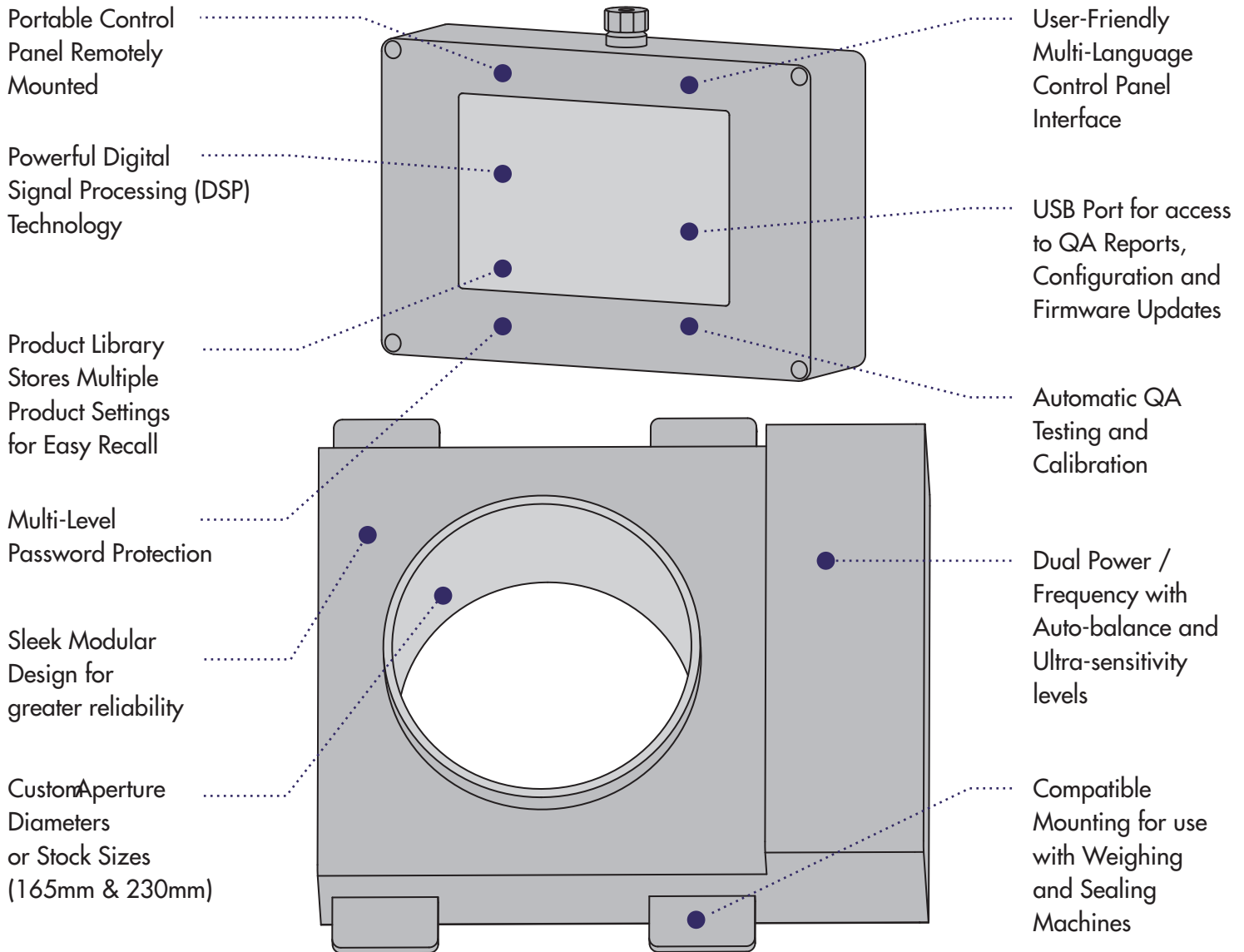
AVAILABLE OPTIONS:

Multiple
Detector
Control



STEALTH

Vertex Metal Detector



DETECTOR OPTIONS & SPECIFICATIONS:

Detector Mounting	Fixed, Pivot or Slide Out
Reject	Output interlocks to Bagging / Weighing / Sealing Machine
Construction	Aluminum epoxy painted or Stainless Steel
Rating	Aluminum: Nema 4 / IP65K or Stainless Steel: Nema 4X / IP69K
Remote Mounting	Display panel terminal mounted remotely (Up to 4,000ft / 1,200m)
Network Communications	RS485, Ethernet / Wireless via Contact Communications Software
Electrical	90-250v Single phase, 1 amp, 50-60Hz
Support Frame	Custom designed for easy installation and maintenance

Simple Operation. Outstanding Reliability. Exceptional Performance.

Copyright © 2012 Fortress Technology Inc. All rights reserved. Patent Pending. The information, designs and artwork contained in this document are confidential and may not be disseminated, distributed or copied without written consent from Fortress Technology Inc. Specifications, designs, features and technology subject to change without notice.

